




2024 主推产品

选型指南

Selection guide

 2025/12/9

不 断 提 高 顾 客 满 意 度 ● ● ● ● ●

Introduce

产品介绍

Product Introduction

Focus On AC-DC

Quality Innovative and Rigorous



■ 主推产品目录

- 01 EHSOP8/HSOP8 封装产品 PART 01
- 02 PSR常用产品 PART 02
- 03 SSR常用产品 PART 03
- 04 SR产品 PART 04
- 05 工业仪表类 PART 05
- 06 CoolMOS、431 PART 06
- 07 应用实例 PART 07

PART 01

EHSOP8/HSOP8封装产品线



■ EHSOP8/HSOP8_18W-24W产品选型表

Output power: 18-24W

反馈方式	PSR	SSR			
CC/CV/CP	CC/CV	CC/CV	CV	CV	CV
Max Frequency	≤100 kHz	65 kHz	65 kHz	65 kHz	65 kHz
Peak load	X	X	X	X	✓ 60ms
AC Protect	X	X	X	X	✓
Vdd	8-28V	8-28V	8-28V	8-80V	8-28V
标配选型	CRE6959 TP65V225	CRE6959 TC65V225	CRE6959 TL65V225Q	CRE6959 TV65V225	CRE6959 TL65V225P
高配选型	CRE6959 TP65V125	CRE6959 TC65V125	CRE6959 TL65V125Q	CRE6959 TV65V125	-
注意事项				PD/家电 选型	带 Pk_load 功能



18-24W
PSR+SSR

特
性

配
置

■ EHSOP8/HSOP8_24W-30W产品选型表

Output power: 24-30W

反馈方式	PSR	SSR			
CC/CV/CP	CC/CV	CC/CV	CV	CV	CV
Max Frequency	≤100 kHz	65 kHz	65 kHz	65 kHz	65 kHz
Peak load	X	X	X	X	✓ 60ms
AC Protect	X	X	X	X	✓
Vdd	8-28V	8-28V	8-28V	8-80V	8-28V
标配选型	CRE6959 TP70V125	CRE6959 TC65V125	CRE6959 TL65V125Q	CRE6959 TV65V125	-
高配选型	CRE6959 TP70V085	CRE6959 TC70V085	CRE6959TL 70V085Q	CRE6959 TV70V085	-
注意事项				PD/家电 选型	带 Pk_load 功能



24-30W
PSR+SSR

特
性

配
置

■ EHSOP8/HSOP8_30W-36W产品选型表

Output power: 30-36W

反馈方式	PSR	SSR			
CC/CV/CP	CC/CV	CC/CV	CV	CV	CV
Max Frequency	≤100 kHz	65 kHz	65 kHz	65 kHz	65 kHz
Peak load	X	X	X	X	✓ 60ms
AC Protect	X	X	X	X	✓
Vdd	8-28V	8-28V	8-28V	8-80V	8-28V
标配选型	CRE6959 TP70V085	CRE6959 TC70V085	CRE6959 TL65V085Q	CRE6959 TV65V085	-
高配选型	CRE6959 TP70V055	CRE6959 TC70V055	CRE6959 TL70V055Q	CRE6959 TV70V055	-
注意事项				PD/家电 选型	带 Pk_load 功能



30-36W
PSR+SSR

特
性

配
置

PART 02

PSR产品线



PSR内置功率管产品选型表



PSR内置功率管产品线

	CRE6255	KK	KD	MDQ	TD	KN	MS	MG	ME	M65V085
Power tube type	BJT	BJT	BJT	BJT	BJT	BJT	MOS	MOS	MOS	MOS
特性	Vdd	5-26V	5-26V	5-26V	5-26V	5-26V	8-28V	8-28V	8-28V	8-28V
	Max Frequency	< 90KHZ	< 90KHZ	< 90KHZ	< 90KHZ	< 90KHZ	< 100KHZ	< 100KHZ	< 100KHZ	< 100KHZ
	Peak load	X	X	X	X	X	X	X	X	X
	AC Protect	X	X	X	✓	X	X	X	X	X
	Package	SOP8	SOP8	SOP8	SOP8	SOP8	SOP8	SOP8	SOP8	SOP8
配置	V _{DSS}	750V	700V	700V	700V	700V	650V	650/700V	650V	650V
	12V	12V1A	12V1A	12V1A	12V1A	12V1.5A	12V1A	12V1.5A	12V1.5A	12V1.5A
	5V	5V2.4A	5V2.4A	5V2.4A	5V2.4A	5V3A	5V2.4A	5V3A	5V3A	5V3A

	CRE6P539	A	S	G	E	65V085
Power tube type	BJT _{Ic=1.5A}	Rds_on=4.0Ω	Cool Mos Rds_on=2.0Ω	Rds_on=2.0Ω	Rds_on=0.85Ω	
特性	Vdd	8-32V	8-32V	8-32V	8-32V	8-32V
	Max Frequency	< 100 KHZ	< 100 KHZ	< 100 KHZ	< 100 KHZ	< 100 KHZ
	PF	> 0.9	> 0.9	> 0.9	> 0.9	> 0.9
	THD	< 10%	< 10%	< 10%	< 10%	< 10%
	Output mode	CV	CV	CV	CV	CV
	Package	SOP7	SOP7	SOP7	SOP7	SOP7
配置	V _{DSS}	650V	650V	700V	650V	650V
	AC_in: 90-264V	7.5W	12W	18W	18W	24W
	AC_in: 115-230V	10W	18W	24W	24W	36W

PSR外驱功率管产品选型表

Part Number		CRE6636	CRE6636B	CRE6230
Power tube type		External BJT & MOS	External BJT & MOS	External BJT & MOS
参数	Max Power	120W	120W	36W
	Standby	≤75mW	≤75mW	≤75mW
	Fsw	≤100K	≤100K	≤100kHz
	Vdd	8~32V	8~32V	8~27V
特性	HV_startup	X	✓	X
	PK Load	X	X	X
	Brown in/out	X	X	X
	AC Line OVP	X	X	X
	QR	✓	✓	X
	Flyback operating mode	DCM	DCM	DCM
	Output mode	CV	CV	CC+CV
	OCP	Auto	Auto	Auto
	OLP	Auto	Auto	Auto
	Vdd OVP	Auto	Auto	Auto
	Vout OVP	Auto	Auto	Auto
	External OTP	X	X	X
	Internal OTP	Auto	Auto	Auto
	Diode Short Protection	X	X	X
	Package	SOT23-6	SOP8	SOT23-6



PSR外驱
产品线

PART 03

SSR外驱产品线



SSR外驱产品选型表

Part Number	CRE6281	CRE6281B1	CRE6281G	CRE62362	CRE62362C	CRE62365	CRE67362	CRE67365	CRE66365	CRE66365A	CRE65362	CRE65362A	CRE68365	CRE6A269
Feedback mode	SSR	SSR	SSR	SSR	SSR	SSR	SSR	SSR	SSR	SSR	SSR	SSR	SSR	SSR
Max Power	45W	45W	45W	65W	65W	65W	65W	65W	65W	65W	65W	65W	65W	65W
Standby	75mW	75mW	75mW	75mW	75mW	75mW	75mW	75mW	75mW	75mW	75mW	75mW	75mW	75mW
Max Frequency	65K	65K	65K	65kHz	65kHz	65/77kHz	65kHz	65/130kHz	65/130kHz	65/130kHz	65/130kHz	65/130kHz	100/130kHz	65/77kHz
Vdd	8~43V	8~43V	8~43V	9-28V	9-33V	9-28V	9-28V	9-28V	9-28V	9-28V	9-28V	9-28V	9-28V	9-28V
HV_startup	X	X	X	X	X	X	X	X	X	X	X	X	X	✓
PK Load	X	X	X	X	X	X	X	60ms	3.5s	3.5s	13s	25s	X	X
Brown in/out	X	X	X	X	X	X	✓	✓	✓	✓	X	X	X	X
AC Line OVP	X	X	X	X	X	X	✓	✓	X	X	X	X	X	X
QR	X	X	X	X	X	✓	N	✓	✓	✓	X	X	✓	✓
Output mode	CV	CV	CP	CV	CC+CV	CV	CV	CV	CV	CV	CV	CV	CV	CV
OCP	Auto	Auto	Auto	Auto	Auto	Auto	Auto	Auto	3.5s	3.5s/Latch	Auto	Auto	Auto	Auto
OLP	Auto	Auto	Auto	Auto	Auto	Auto	Auto	Auto	Auto	1.5s/Latch	Auto	Auto	Auto	Auto
Vdd OVP	Auto	Auto	Auto	Auto	Auto	Auto	Auto	Auto	Auto	Auto	Latch	Latch	Auto	Latch
Vout OVP	Auto	Auto	Auto	Auto	Auto	Auto	Auto	Auto	Auto	Auto	Latch	Latch	Auto	Auto
External OTP	X	X	X	Auto	X	Auto	X	X	On CS Pin	On CS Pin	Auto	Auto	Auto	Latch
Internal OTP	Auto	Auto	Auto	Auto	Auto	Auto	Auto	Auto	Auto	Auto	Auto	Auto	Auto	Auto
Diode Short Protection	X	X	X	Auto	Auto	Auto	Auto	Auto	Auto	Auto	Auto	Auto	Auto	Auto
Package	SOT23-6	SOT23-6	SOT23-6	SOT23-6	SOT23-6	SOT23-6	SOT23-6	SOT23-6	SOT23-6	SOT23-6	SOT23-6	SOT23-6	SOT23-6	SOP8



SSR
外驱产品线

PART 04

SR产品线



SR内置MOS管系列产品选型表

Built-in MOS series (CRE6905D\6908D\6909D)

配置	Rds_on	I_output	B_VDSS			
			45V	60V	80V	100V
	8.5mΩ	3-3.4A	45R085L	60R085L	80R085V	100R085V
	12.5mΩ	2.5-3A	45R125L	60R125L	80R125L	100R125L
	17.5mΩ	2.5-2.8A	45R175L	60R175L	80R175L	X
特性	Output voltage		5V	5-12V	5-15V	5-20V
	Rectifier position		High Side / Low Side	High Side / Low Side	High Side / Low Side	High Side / Low Side
	Operating mode		CCM / DCM / QR	CCM / DCM / QR	CCM / DCM / QR	CCM / DCM / QR
	Package		SOP8	SOP8	SOP8	SOP8



SR内置MOS
产品线

SR外驱MPOS系列产品选型表

External MOS series

Product	Power Tube selection			Feed back mode	Rectifier position	Operating mode	Package
	V_{th_on}	R_{ds_on}	B_V_{DSS}				
CRE6908HL	1.5V-2.5V	> 4mΩ	60V	PSR/SSR	High Side/ Low Side	CCM/DCM/QR	SOT23-6
CRE6908HH	1.5V-2.5V	> 4mΩ	120V	PSR/SSR	High Side/ Low Side	CCM/DCM/QR	SOT23-6
CRE6908HV	1.5V-2.5V	> 4mΩ	150V	PSR/SSR	High Side/ Low Side	CCM/DCM/QR	SOT23-6



SR外驱MOS
产品线

PART 05

工业仪表产品线



■ CRE26x系列



CRE26x系列
产品线

Part Number	CRE26K	CRE26KH	CRE26SM	CRE26GM	CRE26SM
特性	Feedback mode	SSR	SSR	SSR	SSR
	Max Frequency	60kHz	60kHz	60kHz	60kHz
	Vdd	8~32V	8~32V	8~32V	8~32V
	HV_startup	✓	✓	✓	✓
	Output mode	CV	CV	CV	CV
	OCP	Auto	Auto	Auto	Auto
	OLP	Auto	Auto	Auto	Auto
	Vdd OVP	Auto	Auto	Auto	Auto
	Vout OVP	Auto	Auto	Auto	Auto
	External OTP	X	X	X	X
	Internal OTP	Auto	Auto	Auto	Auto
配置	Package	DIP7	DIP7	DIP7	SOP7
	VDSS	1000V	1000V	800V	800V
	AC_in: 85-420V	8W	10W	15W	20W
	AC_in: 230±15V	10W	12W	18W	24W

PART 06

Cool_MOS & 431产品线



■ 高压Cool MOS产品选型表

600V withstand voltage

MODEL	BV _{DSS} (V)	R _{ds_on} (mΩ)	I _D (A)	V _{GS_th} (V)	Package
CCF13N65	650	350-420	13	3	TO-220F
CCF16N65	650	210-260	16	3	TO-220F
CCF20N65	650	160-190	20	3	TO-220F

800V withstand voltage

MODEL	BV _{DSS} (V)	R _{ds_on} (mΩ)	I _D (A)	V _{GS_th} (V)	Package
CCF11N80	800	420-500	11	3.5	TO-220F
CCF15N80	800	260-310	15	3.5	TO-220F
CCF18N80	800	190-230	18	3.5	TO-220F

900V withstand voltage

MODEL	BV _{DSS} (V)	R _{ds_on} (mΩ)	I _D (A)	V _{GS_th} (V)	Package
CCF11N90	900	460-550	11	3.8	TO-220F
CCF13N90	900	280-340	13	3.8	TO-220F
CCF16N90	900	210-250	16	3.8	TO-220F



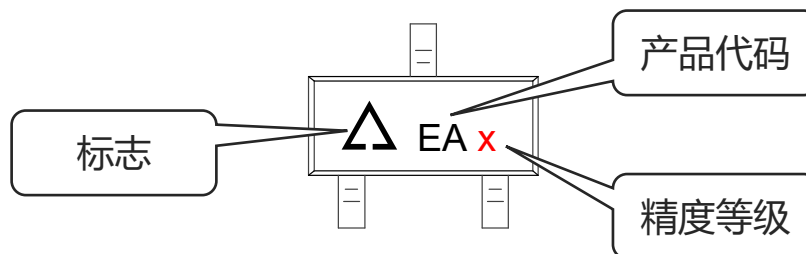
Cool MOS产
品线

■ CRE 431

参数列表:

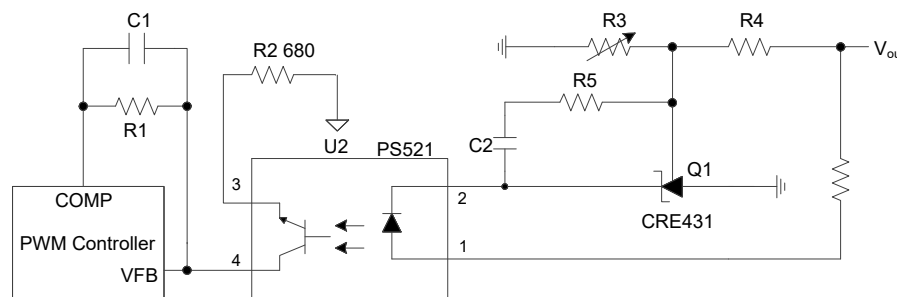
Product	Vka	Ika	Vref		ZKA	Vo	Package
CRE431	40V	-100 — +150mA	2.5V	1%&0.5%	0.2Ω	2.5-40V	SOT-23-3 TO-92, SOP- 8, SOT-89

印字识别:



CRE431

典型应用:



PWM变换器参考图

PART 07

应用实例

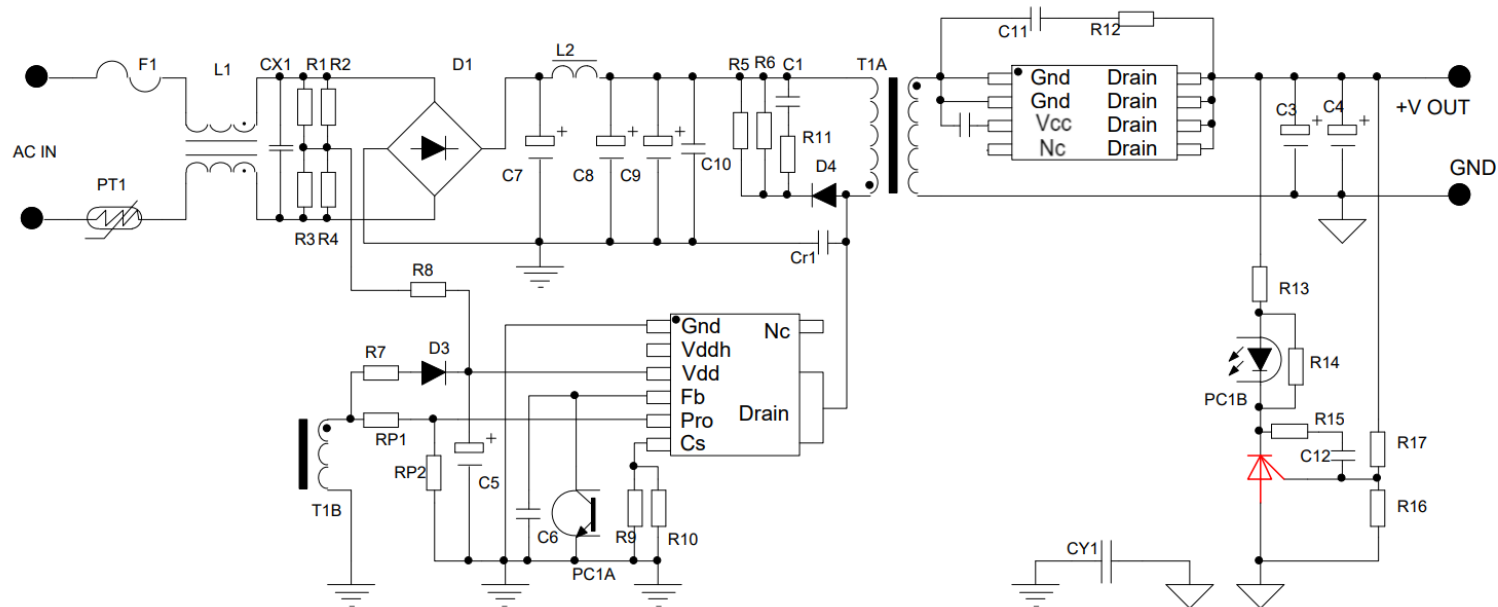


- Built-in soft start function
- Built-in line voltage compensation (OCP)
- Built-in slope compensation
- Smart jittering
- Ultra-Low Startup Current
- Programmable output over Voltage Protection
- Programmable over temperature Protection
- Programmable AC Input UVP
- Noise immunity
- Multi-mode operation
- 65kHz fix frequency at full load
- Medium load trough switching mode
- Burst mode at light load and no load
- Over-load protection
- Over current protection
- **Output diode short protection** with auto recovery
- Vdd over voltage protection
- Vdd under voltage lockout
- Audio noise free



CRE6959TL70 V055Q Application Scheme

CRE6959TL70V055Q + CRE6908D60R085L 36W 12V 3A Adapter scheme

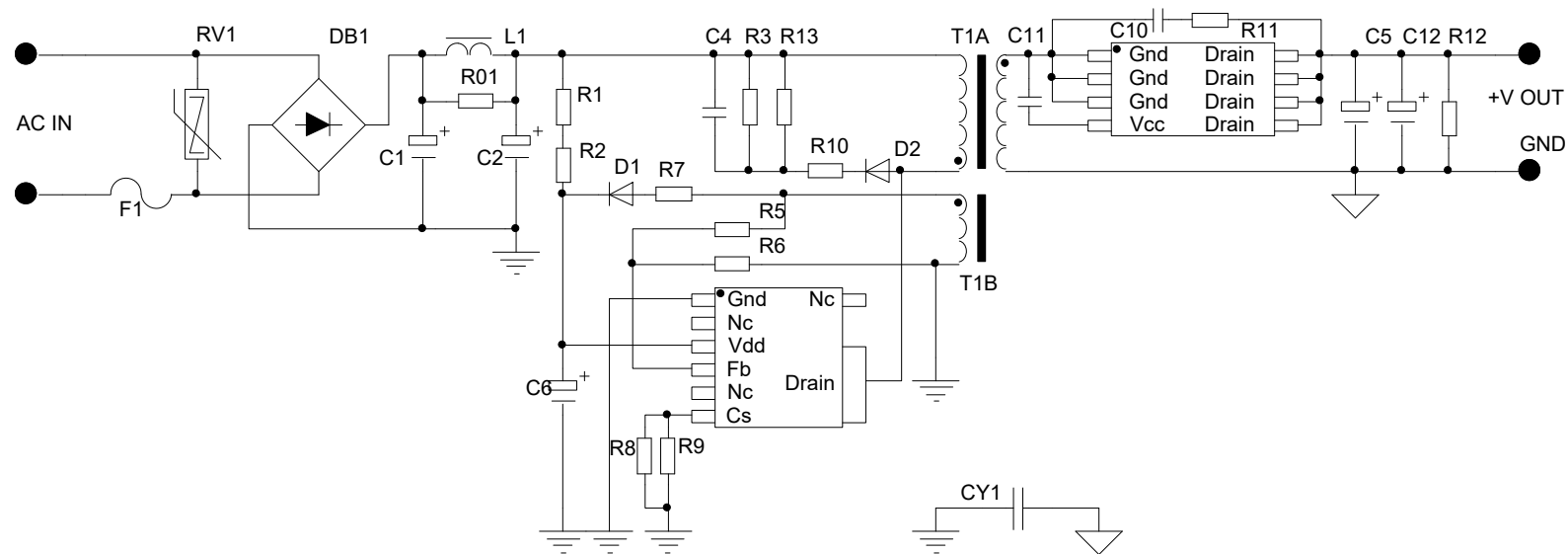


- Built-in soft start function
- Built-in line voltage compensation (OCP)
- Built-in slope compensation
- Smart jittering
- Ultra-Low Startup Current
- Programmable output over Voltage Protection
- Programmable over temperature Protection
- Programmable AC Input UVP
- Noise immunity
- Multi-mode operation
- 65kHz fix frequency at full load
- Medium load trough switching mode
- Burst mode at light load and no load
- Over-load protection
- Over current protection
- Vdd over voltage protection
- Vdd under voltage lockout
- Audio noise free



CRE6959TP70 V085 Application Scheme

CRE6959TP70V085 + CRE6908D60R125L 24W 12V 2A No Y Adapter scheme 45° C

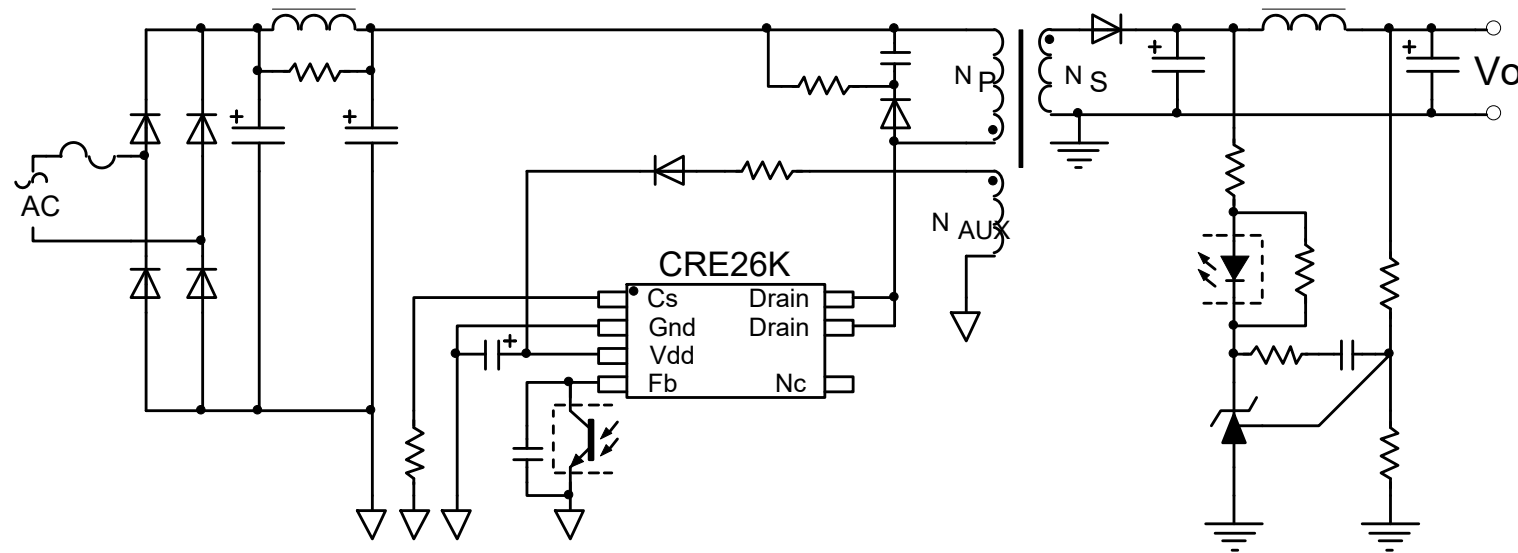


- Built-in HV start function
- Ultra-Low Startup Current
- Programmable output Current Protection
- Noise immunity
- Multi-mode operation
- 60kHz fix frequency at full load
- Medium load trough switching mode
- Burst mode at light load and no load
- Over-load protection
- Over current protection
- Vdd over voltage protection
- Vdd under voltage lockout
- Audio noise free



CRE26K Application Scheme

CRE26K 1000V MOS For Electricity Meter





**Forge ahead,
Create a better future**

砥砺前行，携手共创未来

